

# ECM-AO4D

Analog Output Module

Connection diagram (revision 1.01)

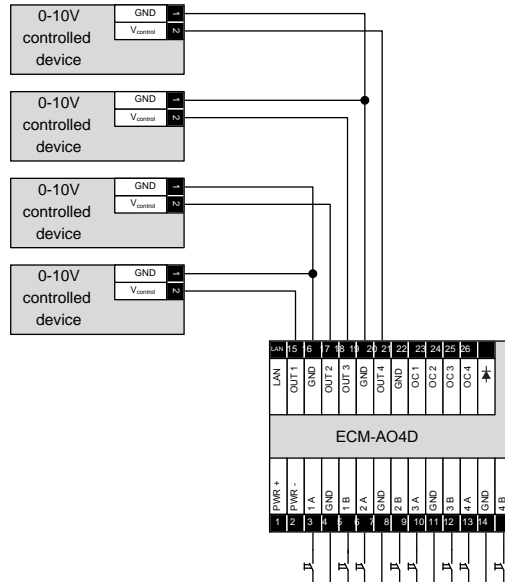


Fig.1 Devices with 0-10V control only.

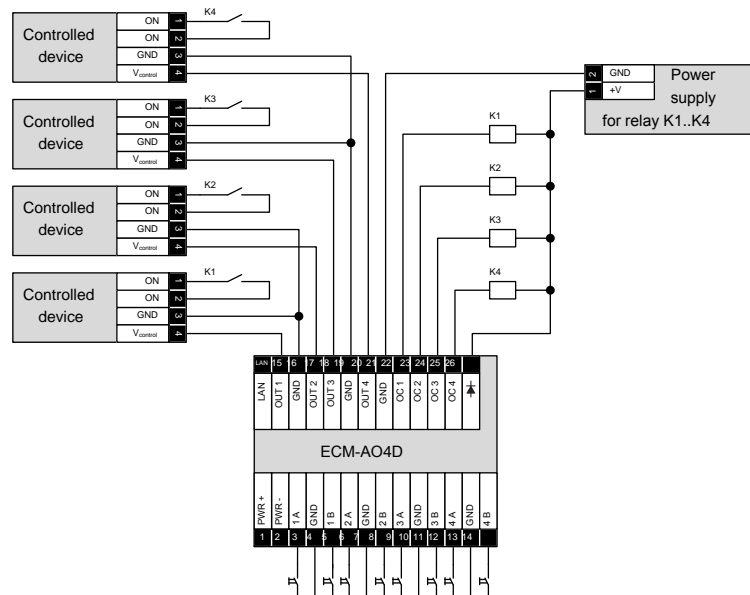


Fig.2 Devices with 0-10V control and relay switches to kill the power completely.